

COAT STAND - WELDED

FEATURES

- » Durable Tube Construction
- » Electrostatic Powder Coating
- » Packaging: Nylon & Stretch (or Bubble) Wrapped

COAT STAND - FLATPACK

FEATURES

- » Durable Tube Construction
- » Electrostatic Powder Coating
- » Easy Assembly
- » Packaging: Flatpack in Corrugated Carton

STANDARD METAL COLORS FOR THIS RANGE

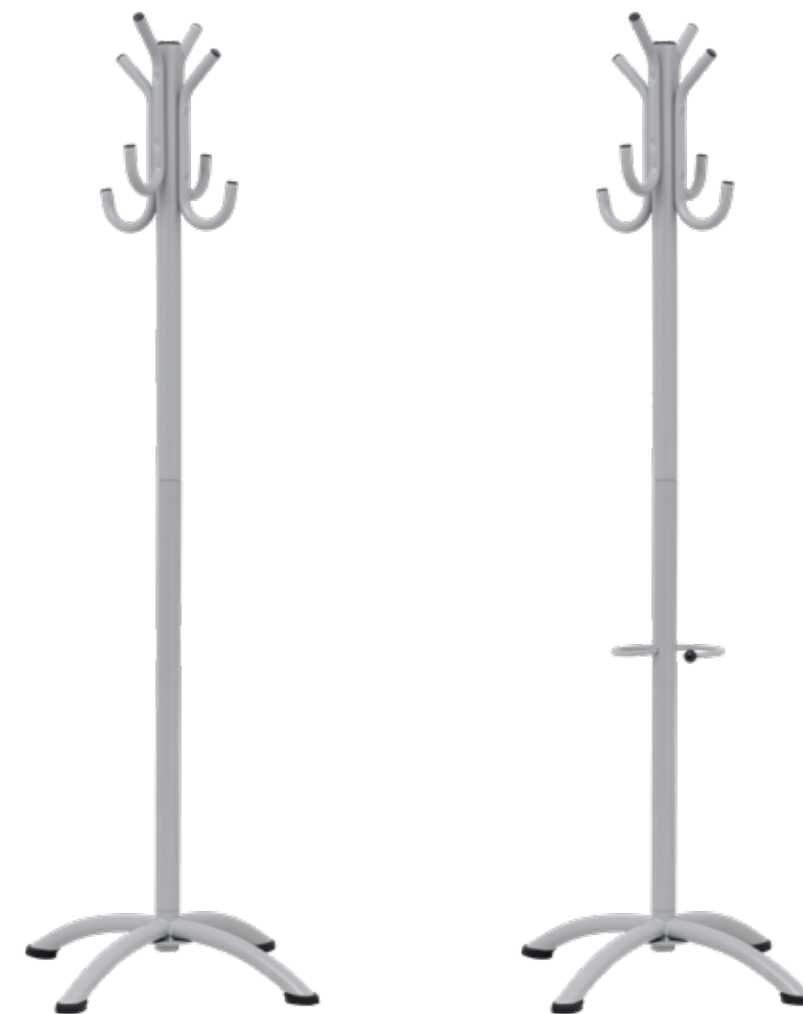
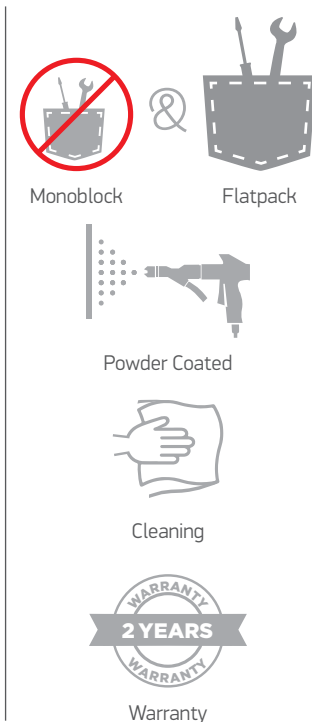


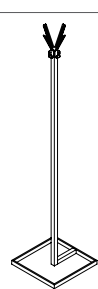
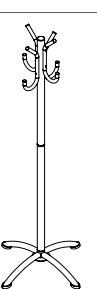
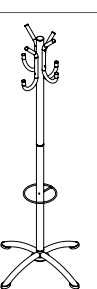
7016 Anthracite 7035 Grey 9005 Black

- » Non-standard colors are available with price difference (extra charge)
- » Production codes are referring items completely in color Grey 7035

OPTIONAL

- » Chrome Plated



view		view		
catalogue code	CST/WSTF.190	catalogue code	CST/OCF.178	CST/OCF/UH.178
production code	152M9702-00010	production code	152M9702-00011	152M9702-00012
construction	welded	construction	flatpack	flatpack
height (mm)	1900	height (mm)	1780	1780
base (mm)	400*400	base ø (mm)	670	670